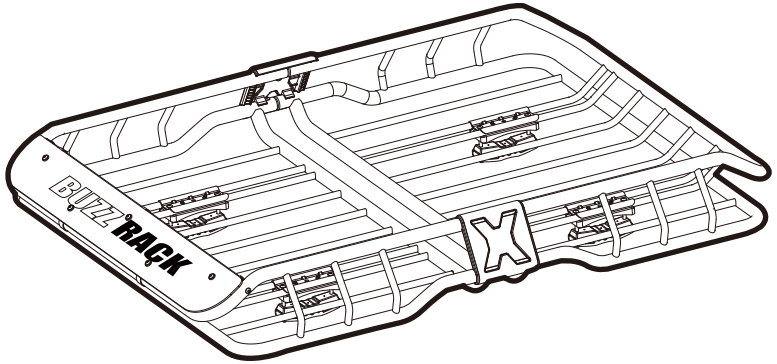


# **BUZZ RACK**



**BUZZWEIGHT**  
14.4  
LB

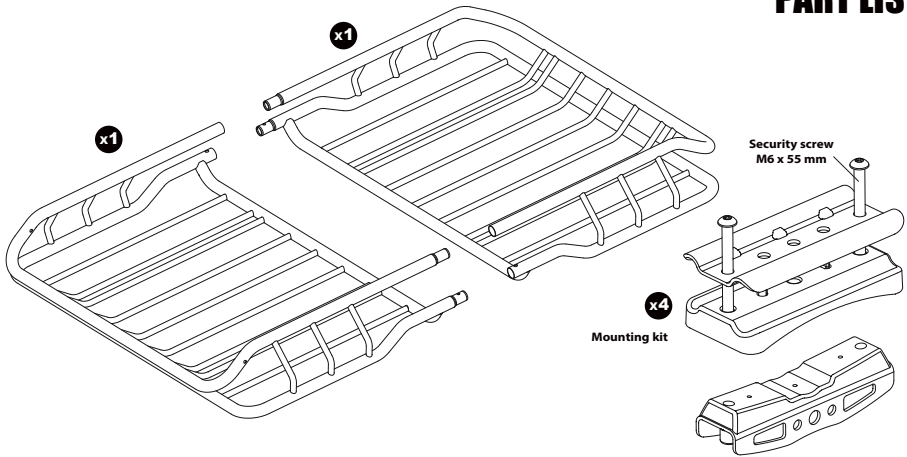
**MAX 75KG**

**MAX BAR HEIGHT**  
1.25" (33mm)

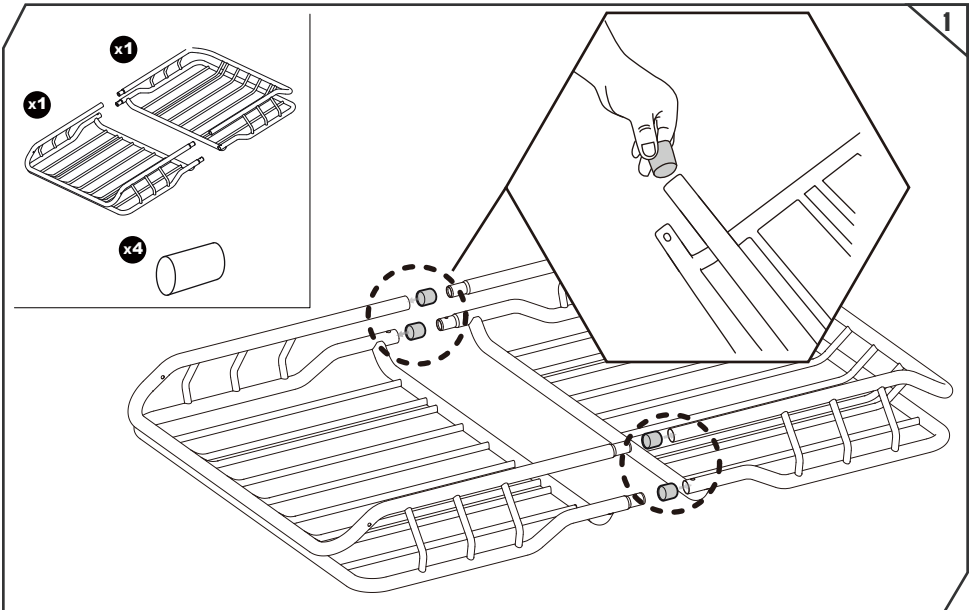
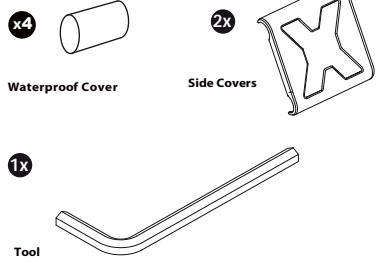
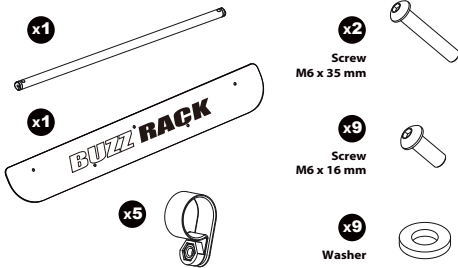
**MAX BAR WIDTH**  
3" (90mm)

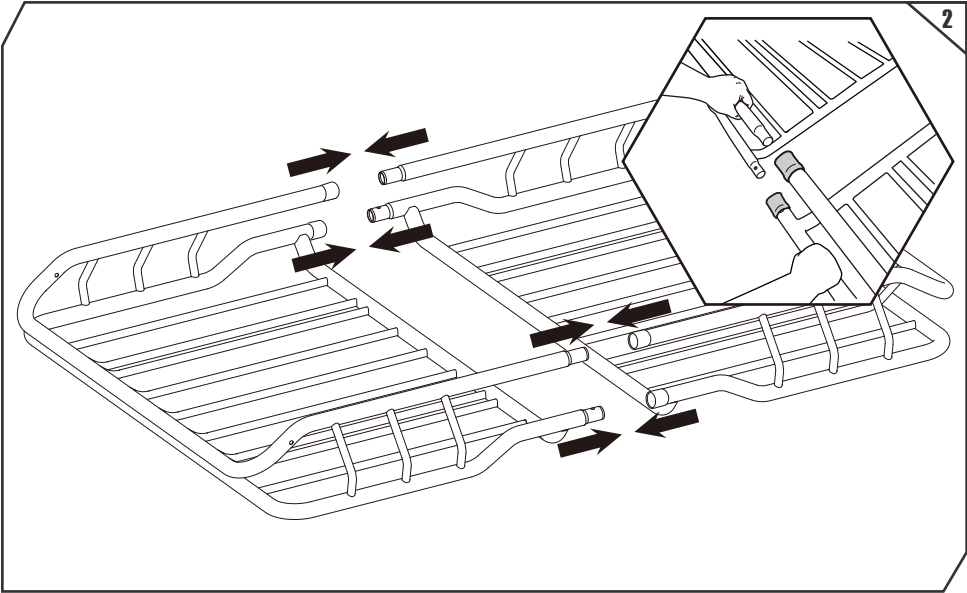
**BUZZTREKKER**

# PART LIST

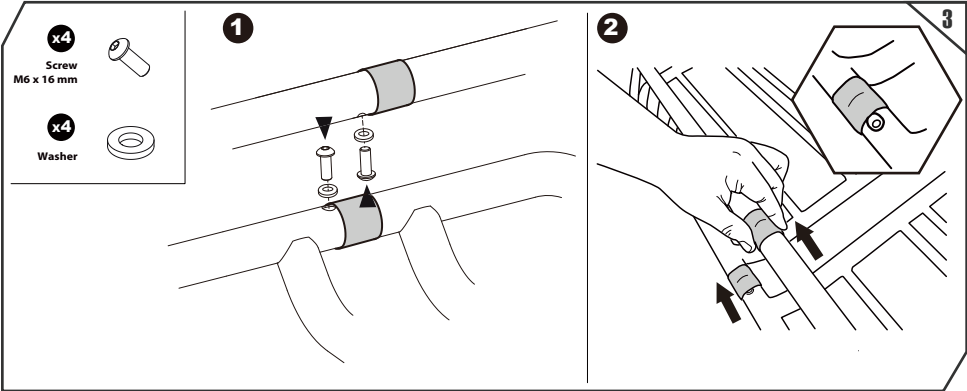


## Deflector accessories





2



1

2

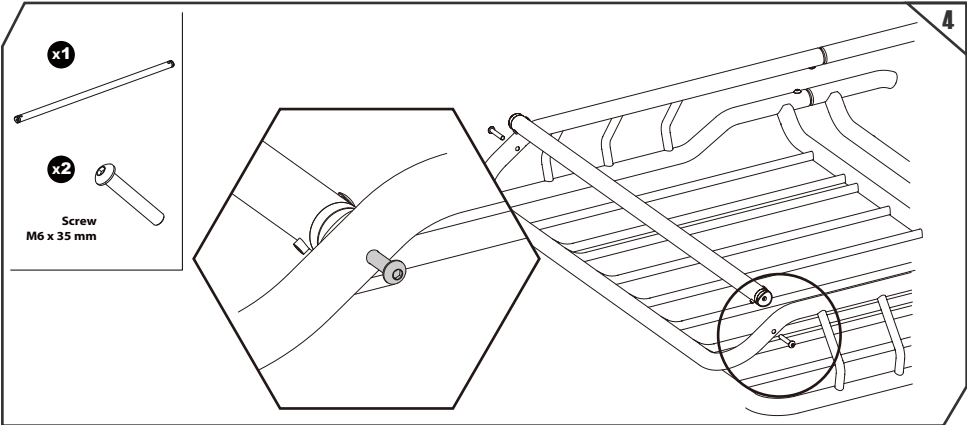
3

x4  
Screw  
M6 x 16 mm



x4

Washer



x1

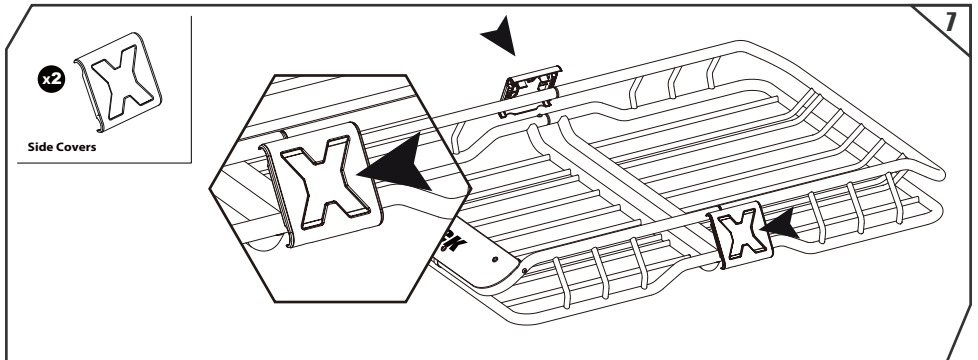
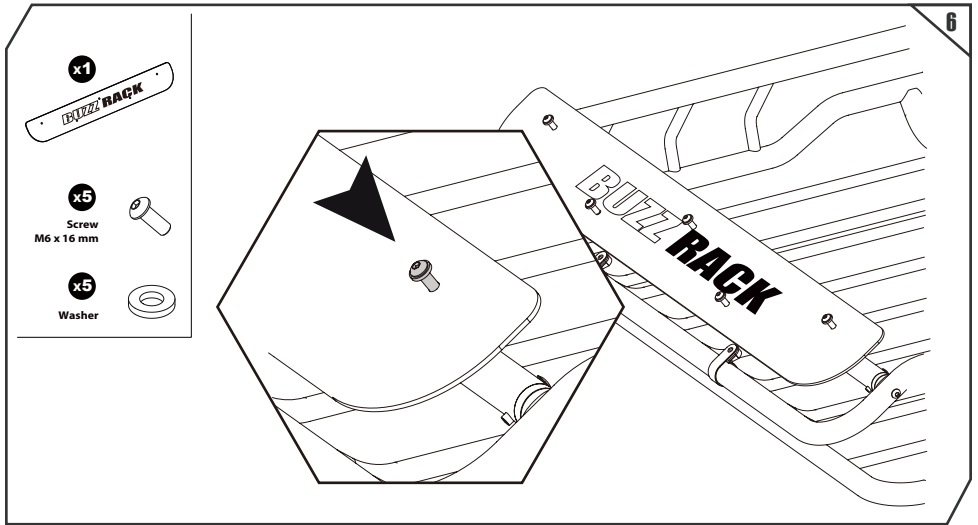
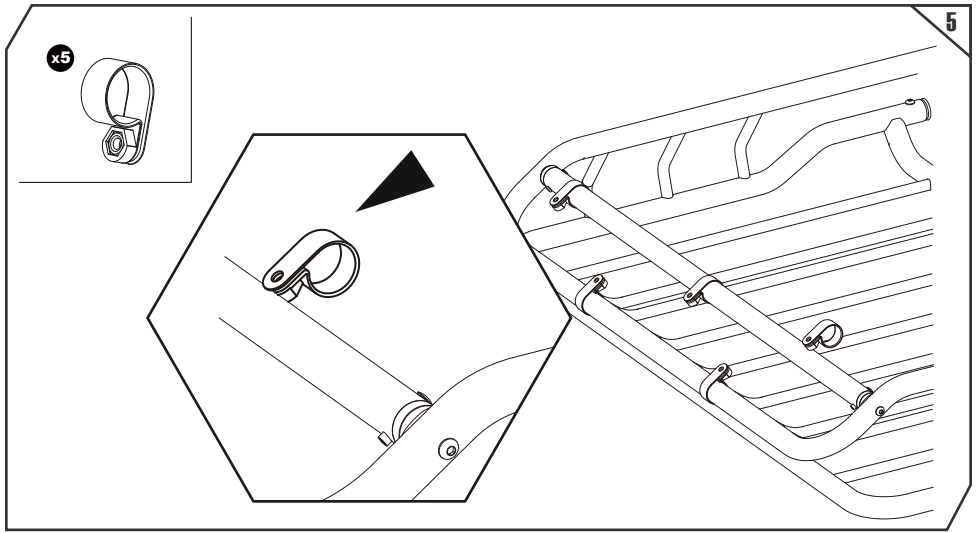


x2

Screw  
M6 x 35 mm

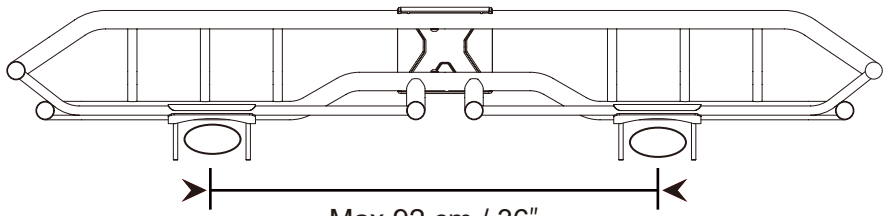
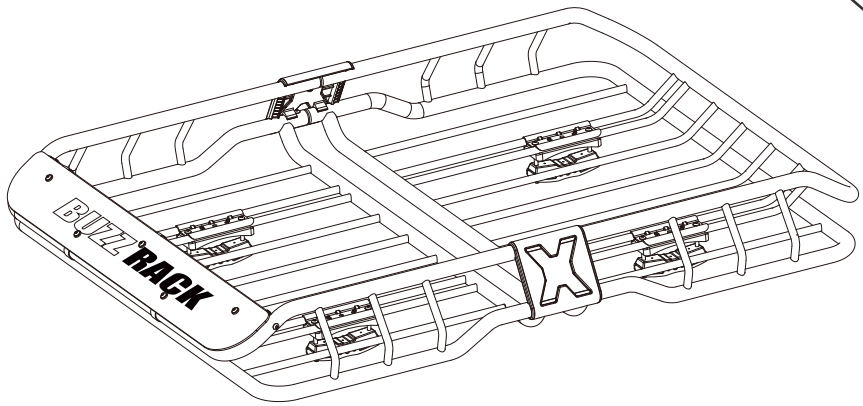
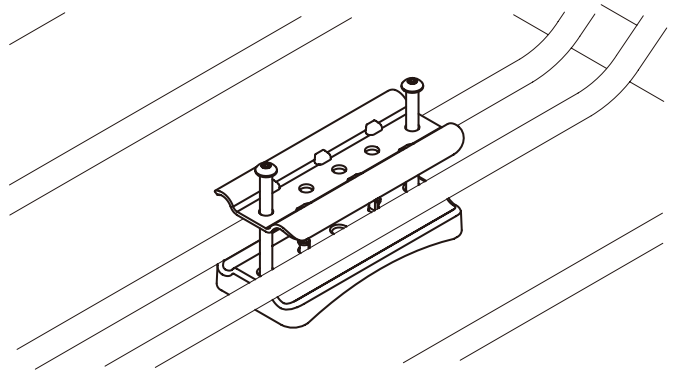
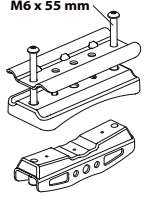


4

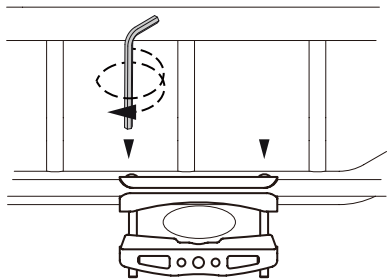


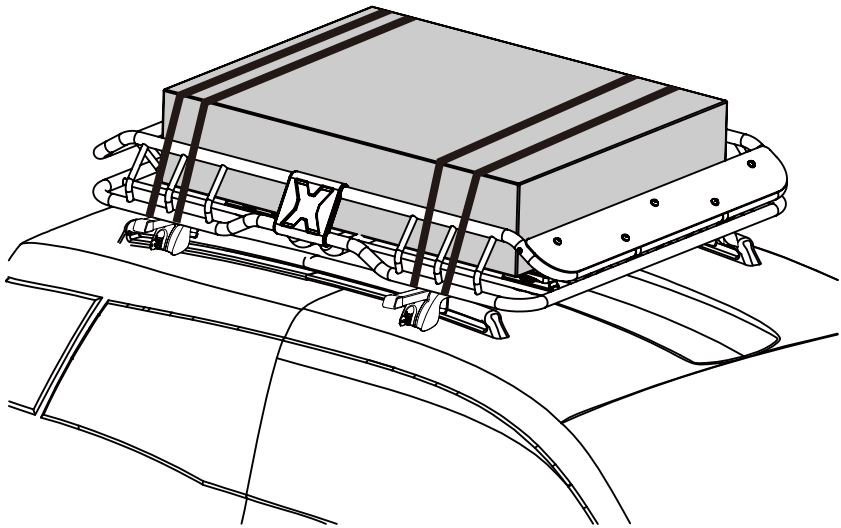
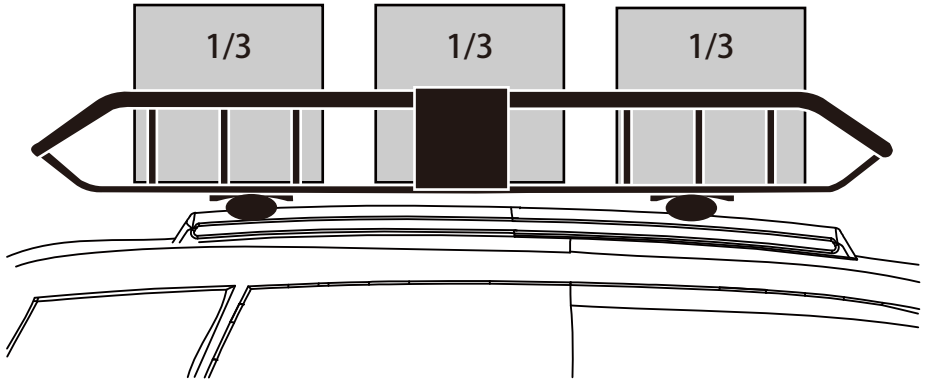
x4

Security screw  
M6 x 55 mm



Max 92 cm / 36"  
Min 50 cm / 20"







## WARNINGS/COMPATIBILITIES/RESTRICTIONS

EN

Please read the instructions carefully. The end user is fully responsible for assembly and installation of this product.

- Do not carry more than 75 kg (165lbs.) on this load carrier. Make sure the total load (cargo weight plus weight of the bars ) does not exceed the car maximum load capacity (see the owner manual).
- Check the crossbar instructions or the car owner's manual for any restrictions about accessories used on the load bars.
- The height of your cargo will affect the possibility to access low entrance spaces.
- The cargo will affect your driving behavior.
- Front and rear of long loads must be tied down to the front and rear of vehicle using a solid part of the vehicle (tow hooks for example).
- Failure to properly install this product may cause damage to the car and in the worst case personal injury.
- Do not modify any components of the product.
- Do not use the product for other purposes than those for which they were designed.
- Please respect the speed limit and adapt your speed to the condition of the road.
- Before leaving and at every stop, please check that all the parts are firmly tightened.
- Check periodically your product for signs of wear, corrosion and fatigue.
- During your trip, periodically check that your load is firmly attached.
- Please consult your store if you have any questions regarding this product.
- Remove your cargo basket before entering automatic car washes.
- Use lubricant on the bolts to avoid corrosion.



+

+

+

+

+

+

***BUZZRACK***

[www.buzzrack.com](http://www.buzzrack.com)